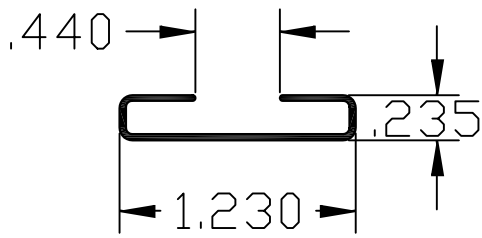


SLAT WALL DIES

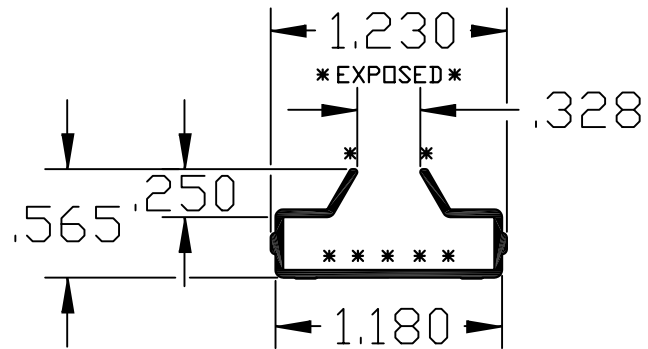
BE-2903

NO EXPOSED AREA



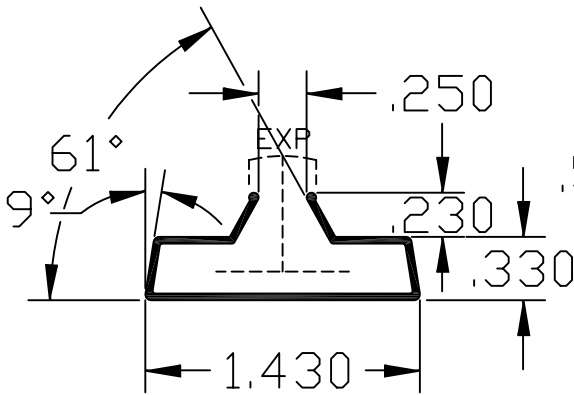
WT/FT - .086

BE-3028



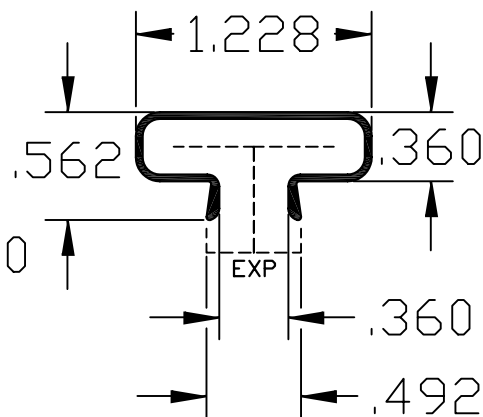
WT/FT - .139

BE-3169R



WT/FT - .139

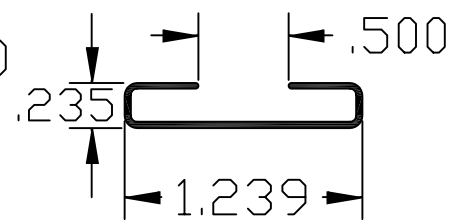
BE-3226



WT/FT - .127

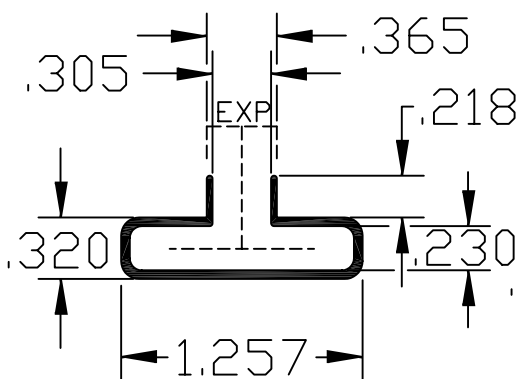
BE-3238

NO EXPOSED SURFACE



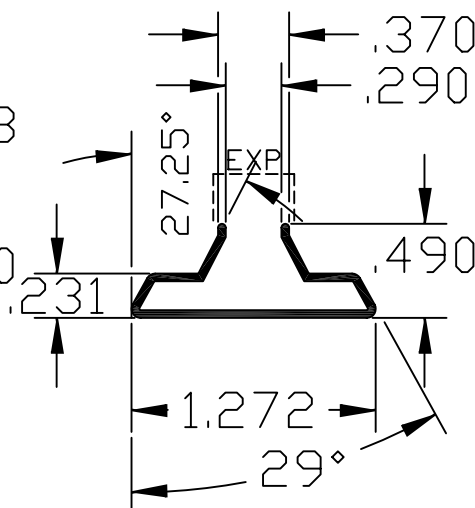
WT/FT - .085

BE-3840



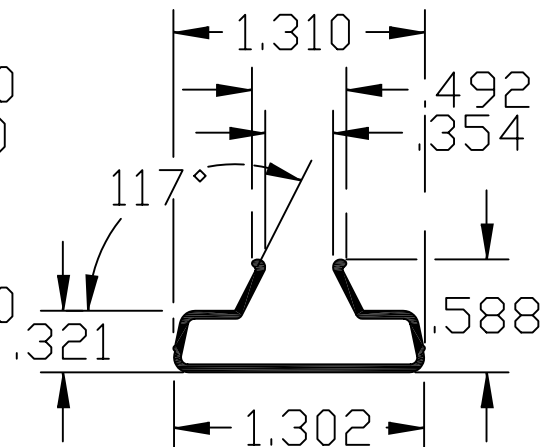
WT/FT - .155

BE-4078



WT/FT - .132

BE-4555



WT/FT - .148